

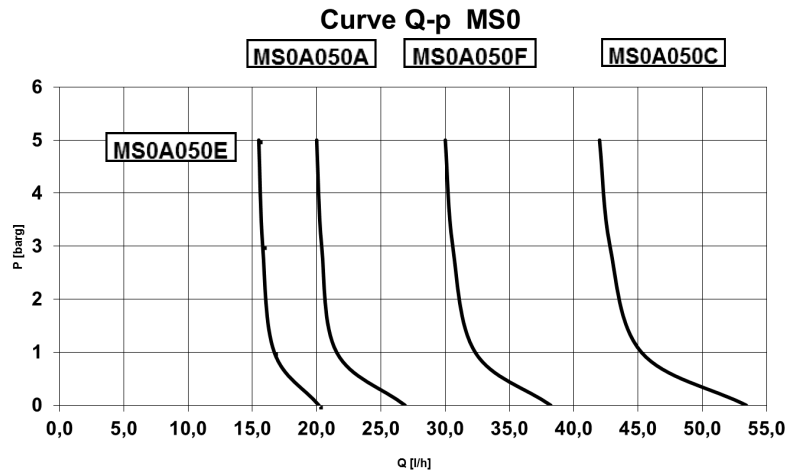
Technical characteristics

- Flow rates: from 15 to 60 l/h
- Max Pressure: up to 5 bar (72.5 psi)
- Motor:
 - 0.09 kW - 3 ph (IP55)
- Stroke rate: 41 - 58 - 82 - 116 - 164 strokes/min
- Stroke length: 2 mm
- Diaphragm diameter: 50 mm
- Pump head:
 - SS 316 L
 - PP
 - PVC
- Max. dosing temperature:
 - SS 316 L 40° C
 - PVC 40° C
 - PP 40° C
 - PVDF 40° C

Seko mechanical diaphragm metering pump MS0 Series has a wide range product. MS0 Series performances cover s from 15 to 60 l/h with a back pressure up to 5 bar, having several configurations available for the pump head and power, in order to have the characteristics most suitable for processes where required. MS0 pump have a spring return mechanism into an aluminum housing.

MS0 series is available with 5 values of stroke rate, which can be set manually only.

Moreover they are supplied with a 3 phases electric motor with 4 and 2 poles, protection class IP55



Model	Pressure [barg]			
	0	1	3	5
Flow rate [l/h]				
MS0A050E	20,2	16,7	15,8	15,5
MS0A050A	26,9	21,5	20,4	20
MS0A050F	38,2	32,3	30,6	30
MS0A050C	53,4	45,2	42,8	42



Mechanical Diaphragm Metering Pump

MSO SERIES

PUMP KEY CODE

1°	Model				
M	Diaphragm				
2°/3°	Mechanism Type				
S0	Membrane				
4°	Stroke Length [mm]				
F	5				
5°/6°/7°	Diaphragm Diameter [mm]				
050	50				
8°	Stroke Rate [stroke/min]				
E	41				
A	58				
F	82				
C	116				
G	164				
9°/10°	Pump Head Material				
	Pump Head	Diaphragm	Valves	Seat Valves	Equipment
21	SS 316	PTFE	SS 316	SS 316	Standard
31	PVC	PTFE	Ceramic	PVC	
51	PP	PTFE	Ceramic	PVC	
41	PVDF	PTFE	Ceramic	PVDF	Special
51	PP	PTFE	SS 316	SS 316	
11°/12°	Electric Motor Type [kW]				
F4	0,09 (4 poles - 230 Vac - 50 Hz - 3 ph)				
F2	0,09 (2 poles - 230 Vac - 50 Hz - 3 ph)				
13°	Stroke Regulation				
0	Manual				
14°	Customization				
0	None				
15°	Optional				
0	Standard				

M	S0	A	050	F	21	F4	0	0	0
---	----	---	-----	---	----	----	---	---	---



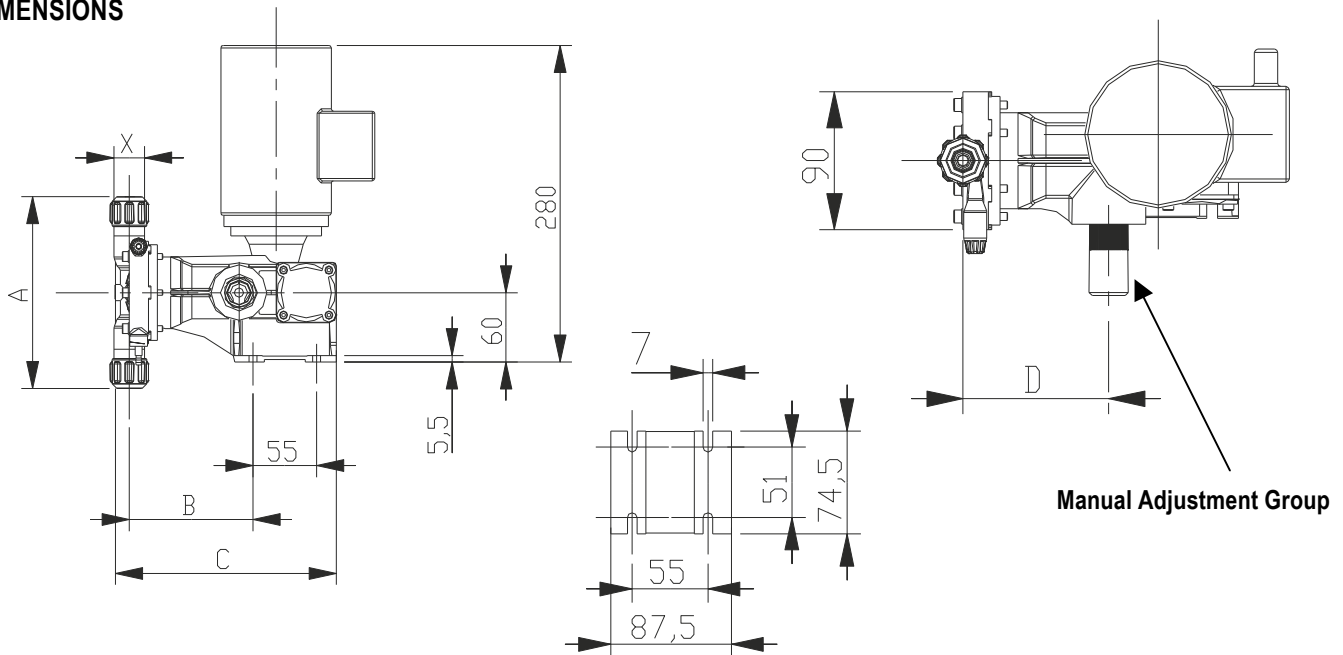
HYDRAULIC CHARACTERISTICS

Pump Model	Piston Diameter [mm]	Stroke/min	Flow rate		Max back pressure		Suction/Discharge Connection		Electric Motor 50 Hz 3 phases [kW]
			l/h	gl/h	bar	p.s.i.	SS 316	PP/PVC	
MSO A 0 5 0 E	50	41	15	3.97	5	72.5	1/2" G M	3/4" G M (1/2" G M)	0,09 (F4)
MSO A 0 5 0 A		58	20	5.29					
MSO A 0 5 0 F		82	30	7.94					
MSO A 0 5 0 C		116	42	11.11					
MSO A 0 5 0 G		164	60	15.87					

PUMP HEAD MATERIAL

Material	Standard		
	21	31	51
Pump Head	SS 316	PVC	PP
Diaphragm	PTFE	PTFE	PTFE
Valves	SS 316	Ceramic	Ceramic
Seat Valves	SS 316	PVC	PVC

DIMENSIONS



Material Pump Head	Pump Model	DIMENSIONS [mm]				Connection (in/out)
		A	B	C	D	
AISI 316 (21)	MSOF050...	166	110	196	112	G 1/2"
PVC (31)	MSOF050...	166	110	192	95	G 3/4" (G 1/2" with reducer)
PP (51)	MSOF050...	166	110	192	95	G 3/4" (G 1/2" with reducer)